



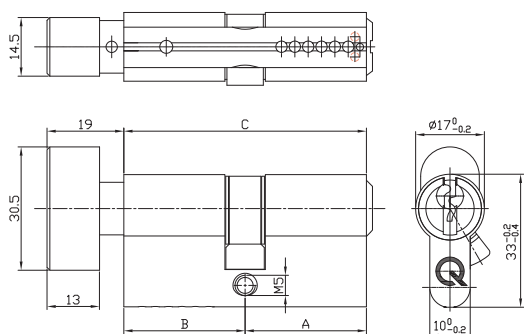
Profile-Knob Cylinder greenteQ SX

Technical data:

- Material of profile cylinder: brass
- Surface: satin nickel-plated
- Pins: 6
- Anti-drill protection: yes
- Anti-bump protection: yes
- FZG function: certified acc. to FZG 2010_01
- Certified acc. to EN 1303: 2015-08
- Keys: 3
- Fixing screw: 1 x M5 x 80 mm

Profile-Knob Cylinder greenteQ SX
available in the following sizes:

Lenght A / B (Type)	Item No.	VBH No.
30 / K30 mm (SX 60)	217.275/7500	101302
30 / K35 mm (SX 65)	217.275/7501	101303
30 / K45 mm (SX 75)	217.275/7502	101304
35 / K30 mm (SX 65)	217.275/7503	101305
35 / K35 mm (SX 70)	217.275/7504	101306
35 / K40 mm (SX 75)	217.275/7505	101307
40 / K40 mm (SX 80)	217.275/7506	101308
40 / K45 mm (SX 85)	217.275/7507	101309
40 / K50 mm (SX 90)	217.275/7508	101310
40 / K55 mm (SX 95)	217.275/7509	101311
45 / K30 mm (SX 75)	217.275/7510	101312
45 / K35 mm (SX 80)	217.275/7511	101313
45 / K40 mm (SX 85)	217.275/7512	101314
45 / K45 mm (SX 90)	217.275/7513	101315
45 / K50 mm (SX 95)	217.275/7514	101316
50 / K35 mm (SX 85)	217.275/7515	101317
50 / K40 mm (SX 90)	217.275/7516	101318
50 / K45 mm (SX 95)	217.275/7517	101319
50 / K50 mm (SX 100)	217.275/7518	101320
55 / K35 mm (SX 90)	217.275/7519	101321
55 / K40 mm (SX 95)	217.275/7520	101322
60 / K40 mm (SX 100)	217.275/7521	101323
60 / K45 mm (SX 105)	217.275/7522	101324
65 / K40 mm (SX 105)	217.275/7523	101325



Certificationkey acc. to EN 1303: 2015-08

1	2	3	4	5	6	7	8
Category of use	Durability	Door mass	Fire resistance	Safety	Corrosion resistance and temperature	Key related security	Attack resistance
1	6	0	0	0	C	6	0